

33 840 760



- 220mm projection
- pivotable spout 130°
- air-enriched flow
- height of mixer 167 mm
- height up to aerator 145 mm
- hole diameter 35 mm
- fabric braided hose 1500 mm
- max. flow 8 l/min at 3 bar flow pressure
- lead-free
- This product can help a building meet the requirements of Green Building Rating Systems, e.g. LEED®, BREEAM®, DGNB

Intrinsic protection against back flow.

	Chrome	33 840 760-00
	Brushed Platinum	33 840 760-06
	Platinum	33 840 760-08
	Dark Chrome	33 840 760-19
	Brushed Durabrass (23kt Gold)	33 840 760-28
	Brushed Champagne (22kt Gold)	33 840 760-46
	Champagne (22kt Gold)	33 840 760-47
	Brushed Chrome	33 840 760-93
	Brushed Dark Platinum	33 840 760-99

**Recommended miscellaneous**

**Strainer waste with control handle - Chrome** 10 712 970-00

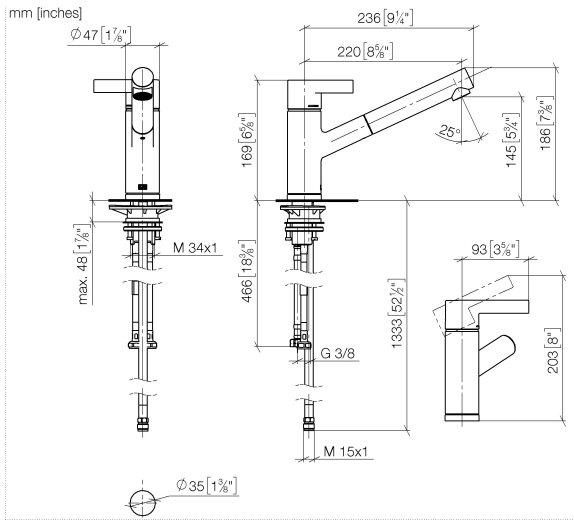


**Recommended miscellaneous**

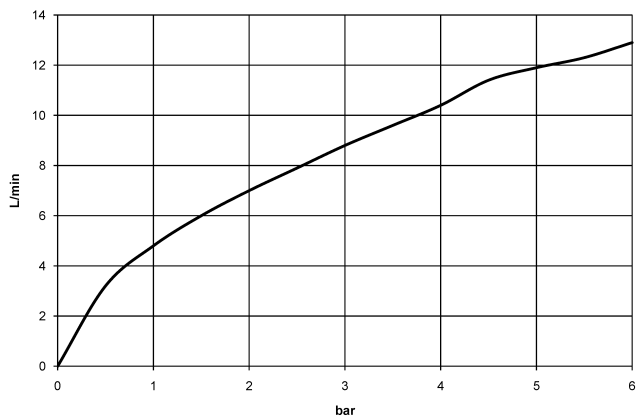
**Dispenser without rosette - Chrome** 82 424 970-00



33 840 760



**Flow rate chart**



**Certificates**

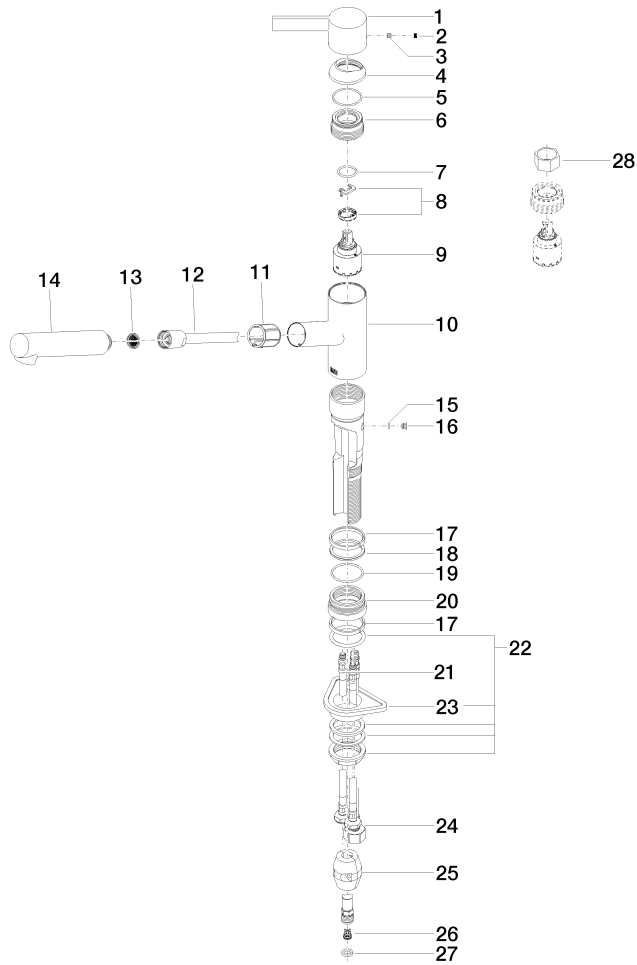
ETA\_20612.

GDV\_0400282.

LGA\_19871.

Belgaqua\_22\_277\_2  
7\_3.

33 840 760



33 840 760

Spare parts list

No.	Item Number	Name	Quantity used	Delivery time
1	09 20 76 001-00	handle	1	10
2	90 31 20 109 00 90	plug	1	2
3	90 31 11 030 00 90	pin	1	2
4	09 28 30 012-00	cover	1	10
5	09 14 10 102 90	seal	1	2
6	09 24 04 270 90	nut	1	2
7	09 14 10 031 90	seal	1	2
8	90 28 10 148 00 90	accessories	1	2
9	90 15 05 064 00 90	cartridge	1	2
10	09 19 76 001-00	sleeve	1	10
11	09 18 40 099 90	sleeve	1	2
12	90 30 02 062 00-00	hose	1	2
13	09 23 01 039 90	sieve	1	2
14	04 12 11 106 00-00	shower	1	10
15	09 14 10 001 90	seal	1	2
16	09 30 30 113 20 90	screw	1	2
17	09 14 15 029 90	ring	2	2
18	09 28 10 144 90	ring	1	2
19	09 14 10 034 90	seal	1	2
20	09 27 76 001-00	rosette	1	10
21	04 30 04 100 00 90	hose	2	2
22	04 23 10 044 02 90	fixing set	1	2
23	09 18 40 090 90	sleeve	1	2
24	04 30 04 029 00 90	hose	1	2
25	04 21 50 005 00 90	accessories	1	2
26	09 23 01 131 90	back-flow preventer	1	2
27	90 14 20 019 00 90	seal	1	2
28	90 30 09 031 00 90	key	1	2